

Cargo Aids

- With this unique combination of high quality fittings, aircraft, road transport or hovercraft interiors can be changed from cargo carrying to passenger carrying duties in just a few minutes, and it is just as easy to convert them back again when required.
- Our Seat Tube and Floor Fittings are light weight yet extremely robust and simplicity itself to operate.
- The recessed floor fitting incorporates a swivelling ring for use with cargo tie-down devices or webbing, and a stud on which the seat tube fitting is located.
- The Seat Tube Fitting is easily assembled on to a seat leg or any tubular device such as an incubator etc. and quickly snaps onto the stud of the floor fitting.
- Further lashings can be fixed or tied on to the swivelling ring if required.

Simple to Operate / Quick to Release

The Seat Tube Fitting quickly snaps on to the stud of the floor fitting which allows land, sea and air transporters to be changed from cargo carrying to passenger carrying in minutes.

Fold Away Cargo Ring

Lashings can be fixed or tied on to the swivelling ring if required. The Cargo Ring folds away into the recess of the floor fitting when not in use.

Maximum Endurance

We coat all surfaces with high technology defence standard finishes for maximum endurance.

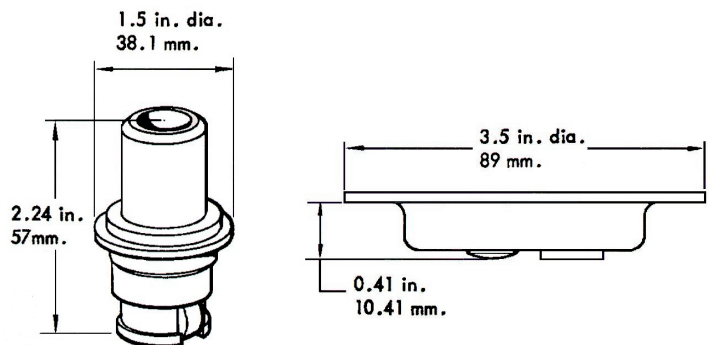


Specification - Floor fitting

■ Floor Fitting Part No:	53CA16
■ Proof Load:	1,200 lb (544 kg)
■ Ultimate Design Load:	1,800 lb (816 kg)
■ Weight:	6 oz (0.17 kg)

Specification - Seat tube fitting

■ Seat Tube Fitting Part No:	51CA16
■ Proof Load:	1,200 lb (544 kg)
■ Ultimate Design Load:	1,800 lb (816 kg)
■ Weight:	3 oz (0.08 kg)



Seat Tube/Floor Fittings

The Drallim Group

Leading innovators in technology and quality