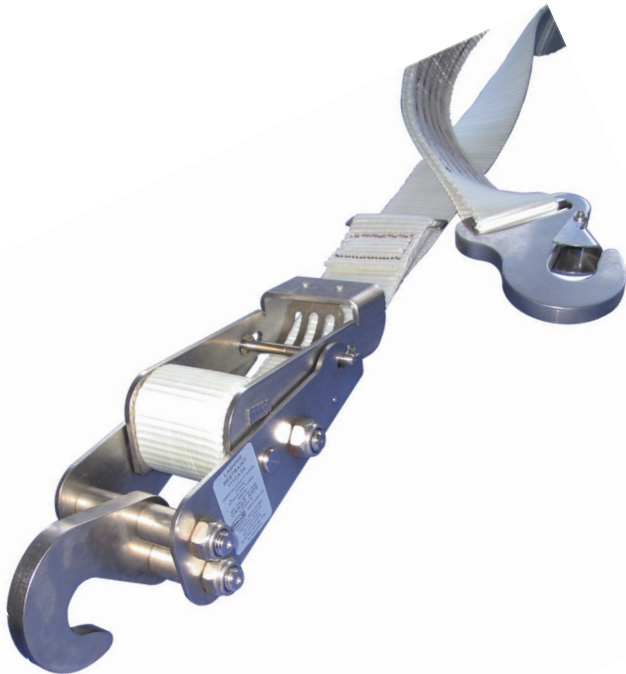


# Cargo Aids

- Many of our products have been developed through requests by customers. When a device was required to tie down the EH101 Merlin Helicopter securely to the deck of a ship, Agusta Westland turned to Cargo Aids and the MC2 Storm Lashing was developed.
- The polyester webbing tie-down has a fast single action, over centre mechanism that gives tension and locking in one movement.
- Quick release is also achieved in one easy action. The MC2 Storm Lashing has a unique clutch that means that slack can be taken up without reloading the mechanism.
- The webbing is treated to resist abrasion and the effects of sunlight. The mechanical components are of replaceable corrosion resistant steel selected to give maximum durability.
- The unit incorporates a web tidy to ensure compact and safe stowage of excess webbing and its unique mechanism is a patented design. Recent modifications have removed any potential FOD hazards.



## As used by the Royal Navy

Having successfully undergone sea trials the MC2 Storm Lashing is now in use throughout the Royal Navy. The need for heavy and noisy chain-based restraints is no longer necessary.

## 15,000lb Ultimate Load

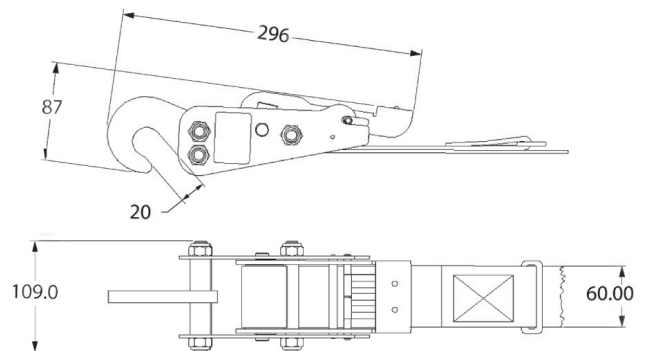
The MC2 Storm Lashing is designed for loads of up to 10,000lb (4536 Kg) and is capable of an ultimate load of 15,000lb (6804 kg).

## Easy Load Quick Release

The MC2 Storm Lashing features a fast single action over centre mechanism that gives tension and locking in one easy movement.

## Specification

■ Part Number:	111CA24
■ Design Load:	10,000 lb (4536 kg)
■ Ultimate Load:	15,000 lb (6804 kg)
■ Weight with 6 mtr Webbing:	9 lb (4.1 kg)
■ Webbing width:	60 mm
■ Nato Stock Number (NSN):	1730-99-1518223
■ Material:	Stainless Steel



## MC2 Storm Lashing

**The Drallim Group**

Leading innovators in technology and quality