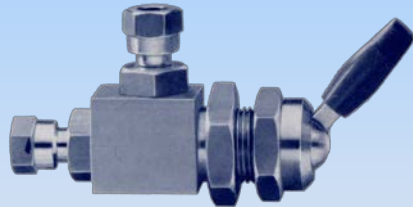
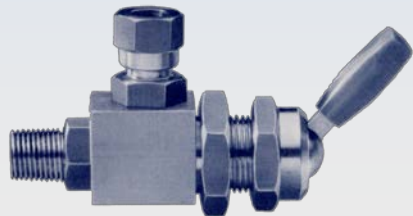
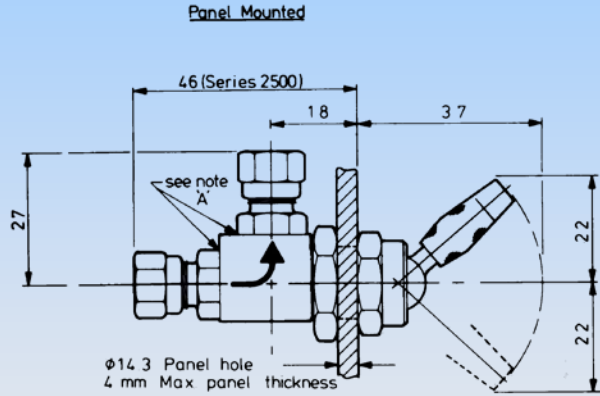




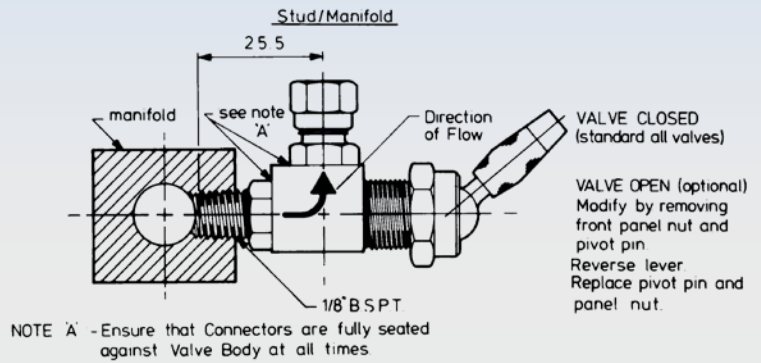
Series 2500 & 2510 Toggle Valves



2500
Union Connection



2510
Stud Connection



NOTE 'A' - Ensure that Connectors are fully seated against Valve Body at all times

VALVE CLOSED (standard all valves)

VALVE OPEN (optional)
Modify by removing front panel nut and pivot pin
Reverse lever
Replace pivot pin and panel nut.

Technical Data	
Fluids	Air and other gases, vapours and liquids compatible with the materials of construction.
Pressures	-1 to +10 bar
Temperatures	-15 to +80°C, dependant on o-ring and tube seal materials.
Materials	Bodies - Brass Stems - Delrin Springs - Stainless steel

Ordering Code	
Connector Size	
Tube OD	
1/8in	R
3/16in	A
1/4in	B
5mm	005
6mm	006
O-Ring Material	
Nitrile	NE
Viton	VN
Type Designation	
Union	2500
Stud	2510
EXAMPLE	2500 NE B