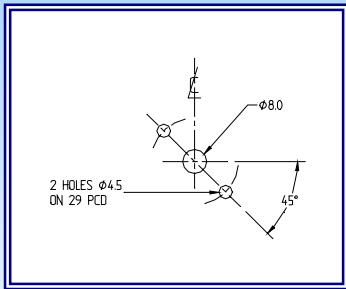
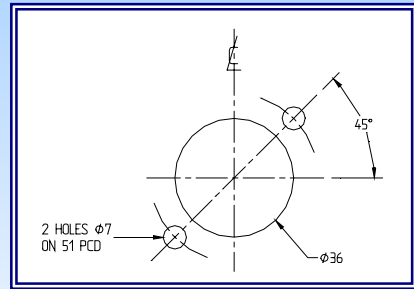




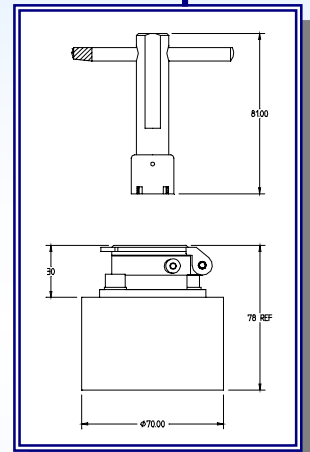
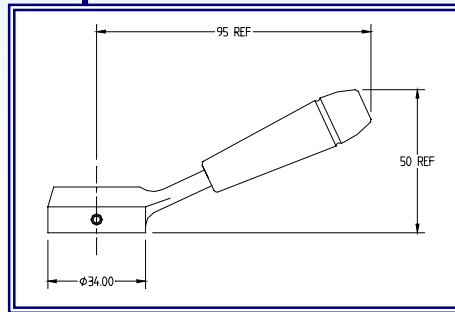
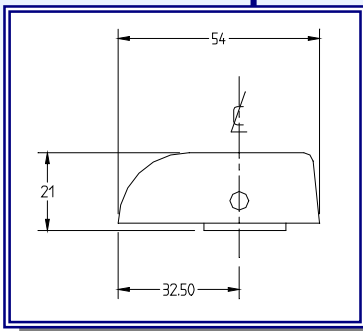
# Series 40 Installation



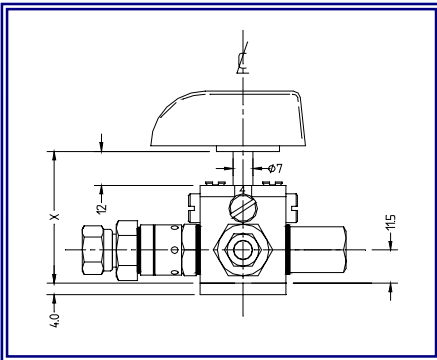
Panel Mounting Detail



## Handle Options

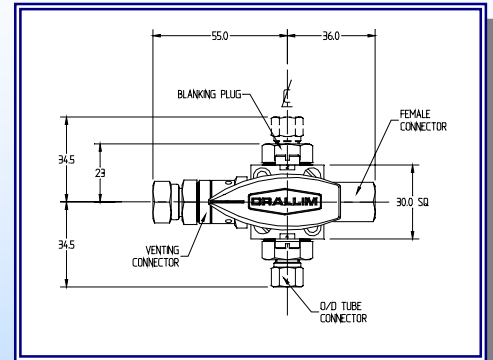


## Body Dimensions

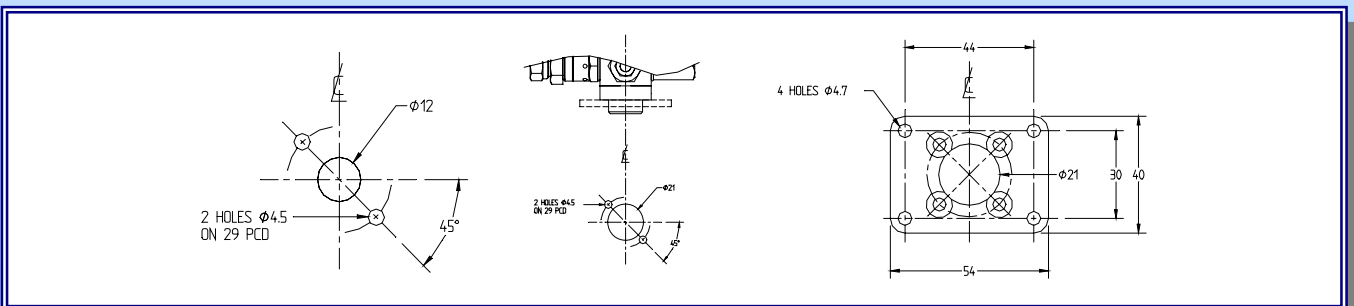


No Of Banks	Dimension X
1	46
2	76
3	106
4	136
5	166
6	196

All Dimensions In mm



## Base Mounting Detail



**The Drallim Group**

Leading innovators in technology and quality

# Notes

A large, empty rectangular box with a thin black border, occupying most of the page below the 'Notes' header. It is intended for the user to write their notes.