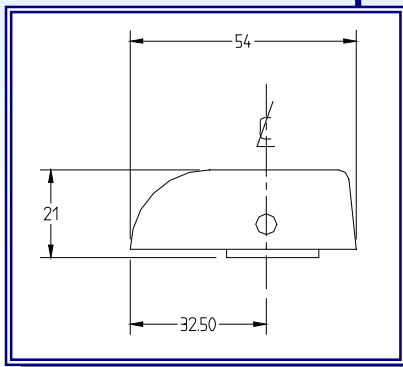
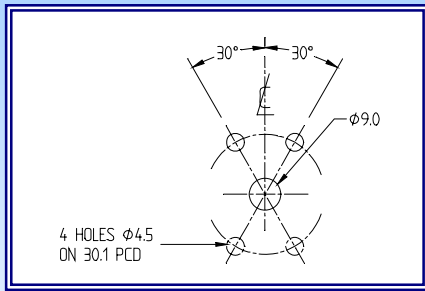


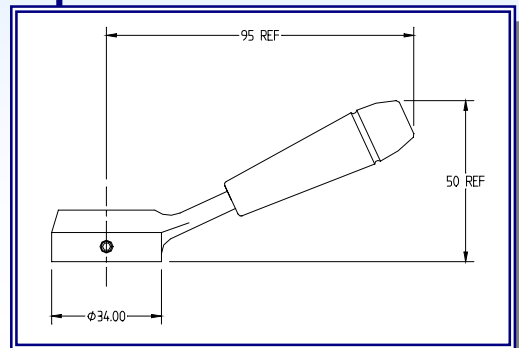


Series 60 Installation

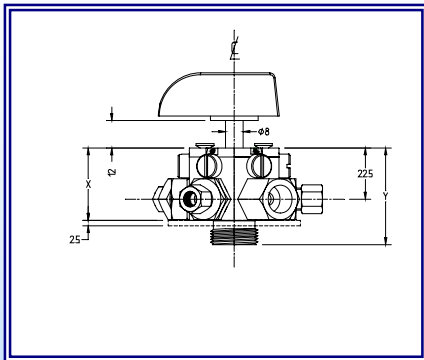
Panel Mounting Detail



Handle Options



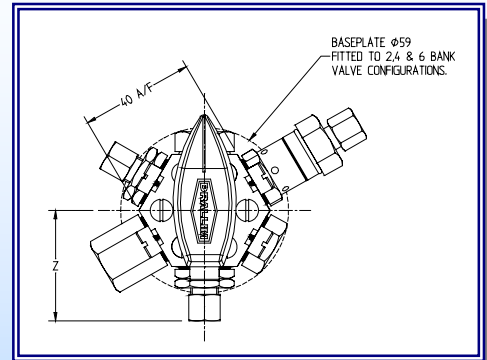
Body Dimensions



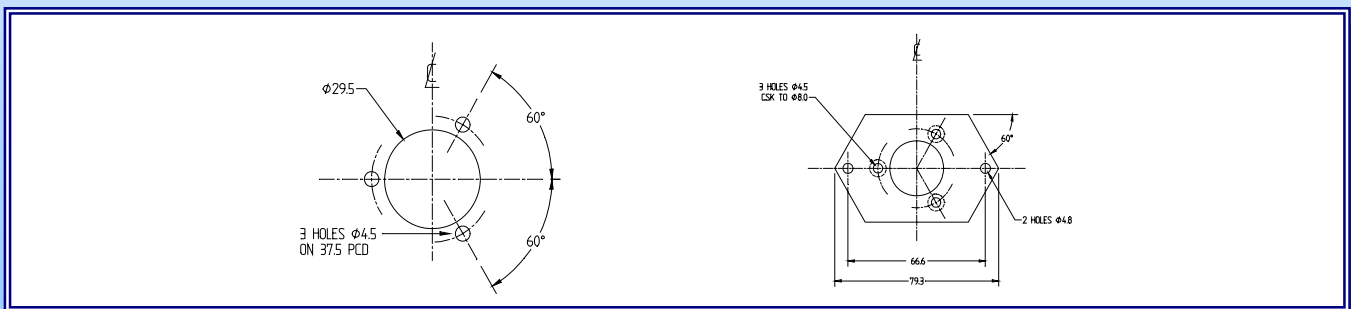
| No Of Banks | Dim X | Dim Y |
|-------------|-------|-------|
| 1 | 32 | 42.5 |
| 2 | 60 | 75 |
| 3 | 85.5 | 96 |
| 4 | 113.5 | 128.5 |
| 5 | 139 | 150 |
| 6 | 167 | 182 |

| Connector Type | Dim Z |
|-----------------|-------|
| Blanking Plug | 28 |
| Venting | 60 |
| O/D Tube | 39.5 |
| Female Threaded | 41 |

All Dimensions In mm



Base Mounting Detail



Notes