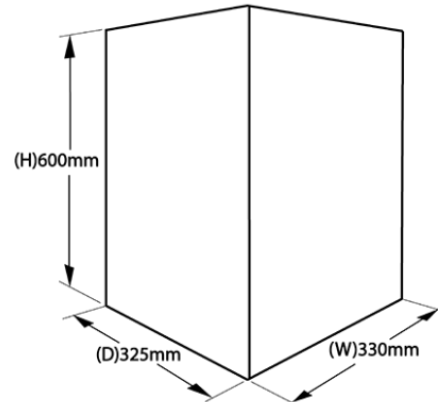


Portable Pressurisation Equipment

For anyone intending to carry out routine maintenance to critical pressurisation units, the 12377 is an essential tool. Weighing approximately 30kg this unit is fully portable. Its design incorporates wheels, and an extendable handle to aid its movement.



Following a recent design change to incorporate the same 1/3HP compressor that is used in the 12434, and 12437, this small unit is now able to produce a dry air output of 30 cubic feet per hour at output pressures of between 3 and 15 psi. Should increased flow be required a unique feature allows a second compressor to be connected to a built in power take off point. Each 12377 is supplied ready to run, complete with 3 metre power lead and plug, and a quick connect chuck for pneumatic connection.

Dry Air Delivery	Output Pressure	Dry Air Dewpoint	No. of Outlets	Height (mm)	Width (mm)	Depth (mm)	Weight (kg)	Operating Voltage
30 ft ³ /hr	3 – 15 psi	-35°C	1	600	330	325	30	110v AC or 230v AC

Drallim Industries Limited
 Millwood House, Drury Lane,
 Ponswood Industrial Estate,
 St. Leonards on Sea,
 East Sussex. TN38 9BA, UK

☎ +44 (0)1424 205140
 ☎ +44 (0)1424 202140
 ✉ email@drallim.com
 🌐 www.drallim.com

An ISO 9001:2008 Approved Company
 Registered Office: Registered in England No 606278

12377
SMALL PORTABLE
DEHYDRATOR

The Drallim Group
Leading innovators in technology and quality